



India's 1<sup>st</sup>  
Delivery Van  
with  
**Power  
Steering!**



**The all new  
Winger Cargo from  
Tata Motors**

**winger**  
C A R G O

**TATA MOTORS**



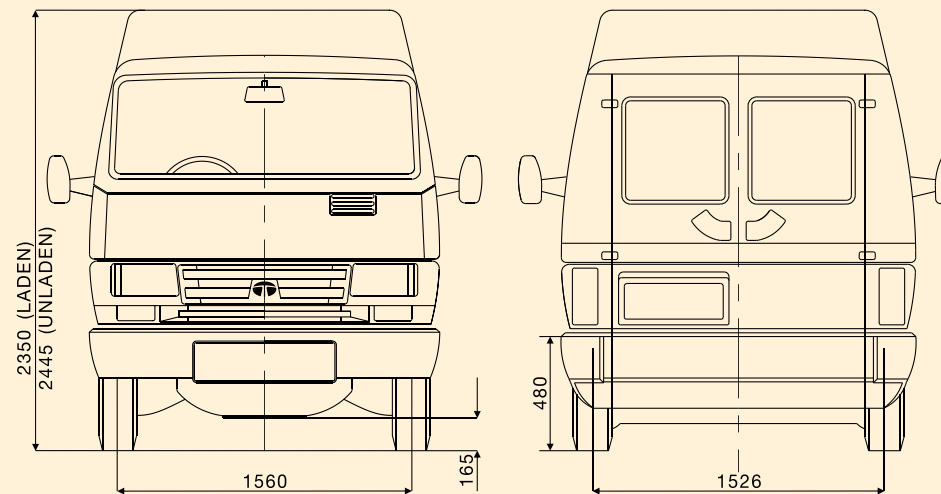


## Technical Specifications

Attributes	Winger DV
Engine	4 cyl, 90 HP TCIC
Suspension	Front: independent, Rear: leaf spring
Gear box	Transaxle 5-speed
Wheel	14"
Gradeability	37%
Ground clearance (mm)	165
Turning radius (m)	6.4
Steering	Power
Wheelbase (mm)	3200
GVW (kg)	2850
Kerb weight (kg)	1650
Payload (kg)	1200
Body (LxBxH) (mm)	2750 x 1650 x 1900
Overall (LxBxH) (mm)	4920 x 1905 x 2445
Fuel	Diesel

## Features & benefits

- Front wheel drive for greater fuel efficiency
- Ready-to-use factory built monocoque pressed steel body
- 6.4-metre turning radius for easy manoeuvrability
- Low floor height for easy loading & unloading
- Large branding area on vehicle body
- Power steering
- Independent front suspension for comfortable rides
- BSIII compliant
- Compressed engine & driveline compartment for maximum space



All measurements are in mm

For further details, please contact: **Tata Motors Limited**,  
Sales Office: 26th Floor, Centre 1, World Trade Centre,  
Cuffe Parade, Mumbai 400 005 Tel.: 022-66561800  
Fax: 91 22 66561893 Visit us at [www.tatamotors.com](http://www.tatamotors.com)  
Customer Assistance Centre:  
Toll Free 1800 225370, 022-67927474

**winger**  
C A R G O

Caution: Do not weld or drill on chassis frame. Accessories shown in the picture or elsewhere do not constitute standard fitment. The specifications are merely indicative. Due to continuous developments or product improvements, these specifications are liable to change without notice.